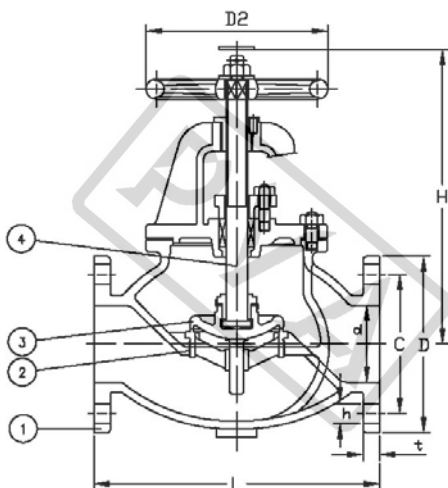



# JISF7311 5K CAST STEEL GLOBE VALVE



Pressure Test		MPa	
Nominal Pressure/PN	0.5MPa	Shell Test	1.03 MPa
		Seat Test	0.76 MPa

Main material for fittings			
Item	Fittings	Material	Mark
1	Body	Cast Steel	SC230~450
2	Bonnet	Cast Steel	SC230~450
3	Disc	Stainless Steel/Cast Bronze	SS420/BC6
4	Seat	Stainless Steel/Cast Bronze	SS420/BC6
5	Stem	Stainless Steel/Forged Brass	SS400/C3771BD
6	Handwheel	Cast Iron	FC200

Main data for flange connection						
Model	Face To Face	Flange Diameter	Flange PCD	Flange Hole	Height	Weight
	L	D	C	n* $\varnothing$ d	H	kgs
F7311 5K50	210	130	105	4 $\times$ $\varnothing$ 15	270	14.7
F7311 5K65	250	155	130	4 $\times$ $\varnothing$ 15	300	21.3
F7311 5K80	280	180	145	4 $\times$ $\varnothing$ 19	310	27.7
F7311 5K100	340	200	165	8 $\times$ $\varnothing$ 19	360	40.8
F7311 5K125	410	235	200	8 $\times$ $\varnothing$ 19	390	57.6
F7311 5K150	480	265	230	8 $\times$ $\varnothing$ 19	445	80.3
F7311 5K200	570	320	280	8 $\times$ $\varnothing$ 23	530	139
F7311 5K250	740	385	345	12 $\times$ $\varnothing$ 23	650	246
F7311 5K300	840	430	390	12 $\times$ $\varnothing$ 23	740	377
F7311 5K350	940	480	435	12 $\times$ $\varnothing$ 25	840	462
F7311 5K400	1050	540	495	16 $\times$ $\varnothing$ 25	940	647

Design	Check	Signature	Logo	Supplier
asbsey	Chrit	Figor		PROMET VALVES AUSTRALIA
JAN.01,2013	JAN.01,2013	JAN.01,2013		

## PROMET VALVES AUSTRALIA

1A Green Road Woodville West SA 5011 Australia / Tel:+61 8 8268 1777 / Fax:+61 8 8268 1711  
 promet@prometvalves.com / www.prometvalves.com / ABN47 096 425 697